

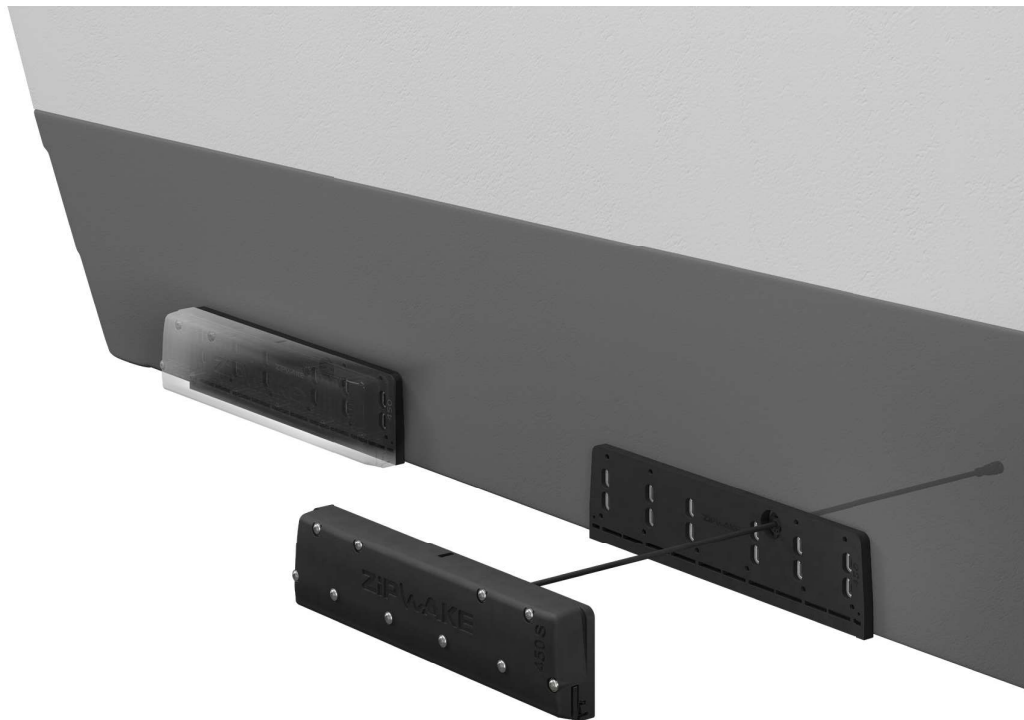
13 ADAPTOR PLATES

Zipwake Adaptor Plates are designed to minimize transom preparations required for upgrading to Zipwake Series S on boats already equipped with BTS interceptors and/or which have transoms with protruding bottom plates. The adaptor plates allow reuse of the existing screw hole pattern and they seal the previous holes for thru-hull fittings. Because the Adaptor Plates perfectly match the mounting holes, installation of the Zipwake Series S interceptors is completely straightforward. All that is needed on the transom are the new holes for the Zipwake thru-hull fittings.

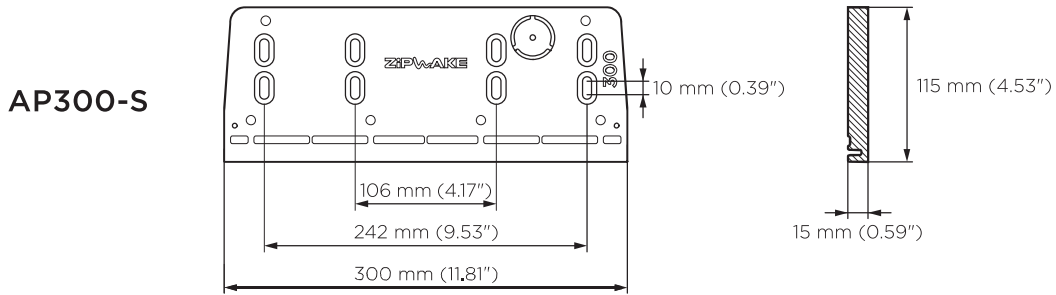
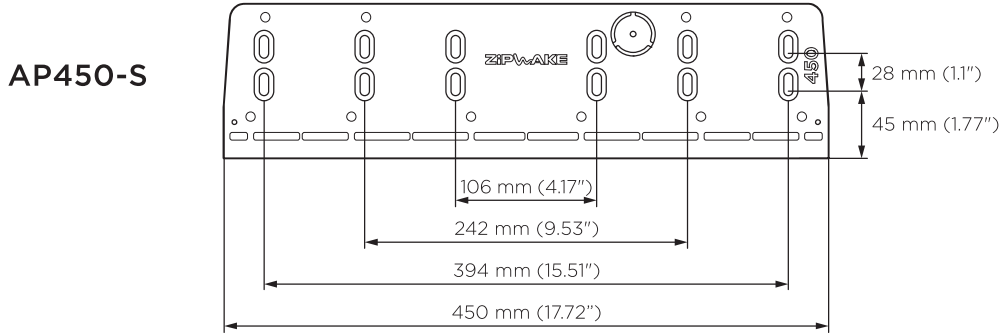


13.1 SPECIFICATIONS

Model	AP300-S	AP450-S	
Screw hole pattern	BTS 300	BTS 450	
Weight	0.75 (1.65)	1.00 (2.20)	Kg (lbs)
Items in kit	2 x adaptor plates, 2 x o-rings, 16/24 x screws, 1 x instruction		
Max. protrusion bottom plate	15 mm (0.59 in)		
Max. boat speed	60 knots		
Thru-hull cable fitting	Concealed or above waterline		



13.2 DIMENSIONS



13.3 ORDERING DATA

Model	AP300-S	AP450-S
Part No.	2011585	2011586

- Available as an accessory
- Available as a spare part